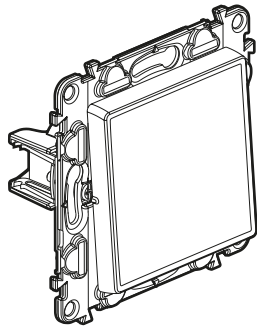
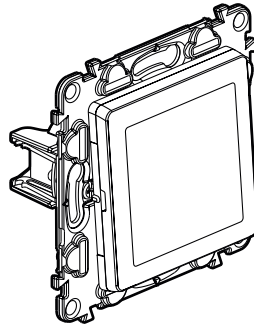


Valena™ Life - Valena™ INMATIC Changeover push-button 6 A

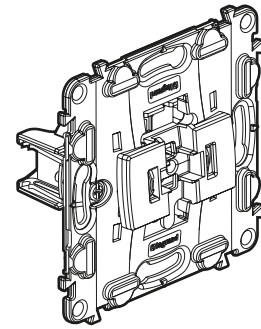
Cat. No(s): 7 520 11/13/17/18/24 - 7 521 11/12/13/14/15/16/18/24
7 522 11/12/13/15/16/18/24 - 7 523 11/12/13/15/16/18/24



7 521 11



7 521 14



7 520 13

1. USE

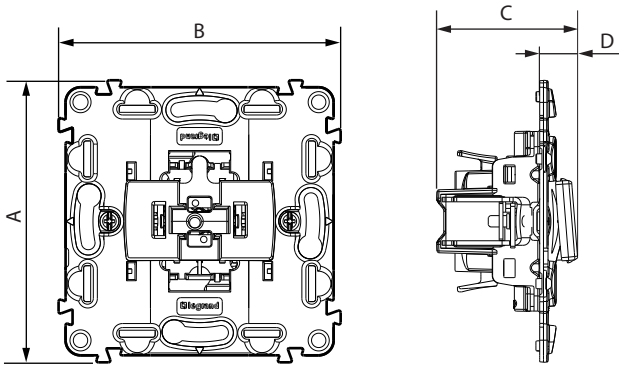
Lighting controls mechanisms 6 A.
Mechanisms supplied with protection cover.
To be equipped with plates one or several gangs.
Flush-mounting or surface-mounting.
Screw or claw fixing.

2. RANGE

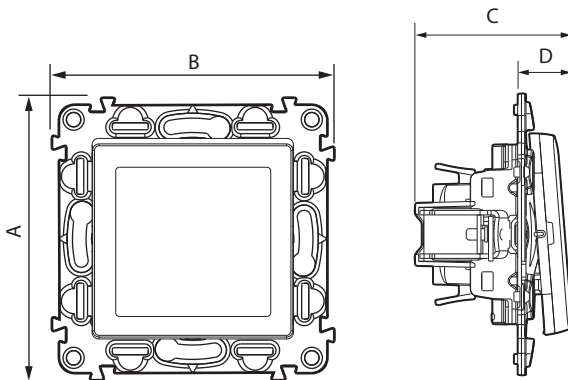
Description	Mechanism + Cover plate			Mechanism only	Cover plate only		
	White	Ivory	Aluminium		White	Ivory	Aluminium
Changeover push-button NO-NC	7 521 11	7 522 11	7 523 11	7 520 11	7 550 00	7 550 01	7 550 02
Changeover push-button NO-NC free contact	-	-	-	7 520 17			
Changeover push-button NO-NC, bell symbol	7 521 15	7 522 15	7 523 15	7 520 11	7 550 10	7 550 11	7 550 12
Pull cord changeover push-button NO-NC	7 521 24	7 522 24	7 523 24	7 520 24	-	-	-
Illuminated changeover push-button NO-NC with indicator Cat. No 0 676 86 (230 V)	7 521 12	7 522 12	7 523 12	7 520 11	7 551 00	7 551 01	7 551 02
Illuminated label-holder push-button NO-NC with indicator Cat. No 0 676 86 (230 V)	7 521 14	7 521 14	7 521 14	7 520 11	7 551 10	7 551 10	7 551 10
Two-gang changeover push-button NO-NC	7 521 18	7 522 18	7 523 18	7 520 18	7 550 20	7 550 21	7 550 22
Two-gang changeover push-button NO-NC with indicator Cat. No. 0 676 86 (230 V)	-	-	-	7 520 18	7 552 20	7 552 21	7 552 22
Two-gang multifunctional switch	7 521 21	7 522 21	7 523 22	-	-	-	-
Two-gang illuminated multifunctional switch with indicator Cat. No 0 676 86 (230 V)	7 521 22	7 522 22	7 523 22	-	-	-	-
Illuminated push-button 12 V	7 521 13	7 522 13	7 523 13	7 520 13	7 551 00	7 551 01	7 551 02
Illuminated label-holder push-button NO-NC with indicator Cat. No 0 676 87 (12 V)	7 521 14	7 521 14	7 521 14	7 520 11	7 551 10	7 551 10	7 551 10

3. DIMENSIONS (mm)

Cat. No 7 520 17



Cat. No 7 521 14



References	A	B	C	D
7 521 11/12/13/15/16/18 7 522 11/12/13/15/16/18 7 523 11/12/13/15/16/18	75	75	41.5	14
7 521 24 - 7 522 24 - 7 523 24	75	75	52.5	25.5
7 520 11/13/17/18	75	75	37.5	10
7 520 24	75	75	37	7

4. CONNECTION

Type of terminals: automatic
Capacity: 2 x 2.5 mm²
Stripping length: 13 mm
Flexible or rigid cables compatible

5. TECHNICAL CHARACTERISTICS

■ 5.1 Mechanical characteristics

Protection against solid bodies and liquids: IP 20
Protection against impact: IK 04

■ 5.2 Material characteristics

Polygloss appearance
Colour: - White RAL 9003
- Ivory RAL 1013
- Aluminium
Material: - Rocker: ABS
- Base: PC
- Halogen free
- UV resistant

Material of the support: - Polycarbonate grey RAL 7037 + Metal
- Halogen free

Self-extinguishing:

+ 850° C / 30 s for insulating parts holding live parts in place
+ 650° C / 30 s for other parts made of insulating materials

■ 5.3 Electrical characteristics

Voltage: 250 V~
Current: 6 A
Frequency: 50/60 Hz

■ 5.4 Climatic characteristics

Storage and use temperature: - 10° C to + 40° C

6. MAINTENANCE

Surface cleaning with a cloth.

Do not use: acetone, tar remover, trichloroethylene.

Maintenance with the following products: Hexane (EN 60669-1), Methylated spirit, Soapy water, Diluted ammonia, Bleach diluted to 10%, Window-cleaning products.

Caution: A preliminary test should be carried out if other specific cleaning products are to be used.

7. STANDARDS AND APPROVALS

Compliance with standards of installation and manufacturing.
Refer to e. catalogue.