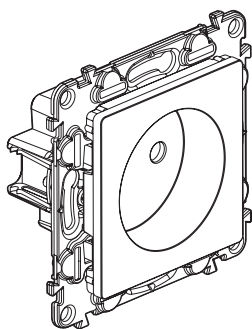
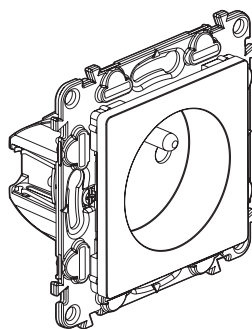


## Valena™ Life - Valena™ INMATIC Socket outlets - Franco-Belgian standard

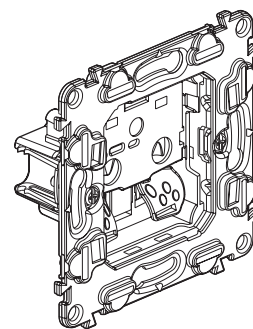
Cat. No.(s): 7 531 16/80/81/82/83/84/85/88/89/91  
7 532 16/80/81/82/83/84/85/88/89 - 7 533 16/80/81/82/83/84/85/88/89  
7 530 16/80/81/84/85/88



7 531 16



7 531 88



7 530 16

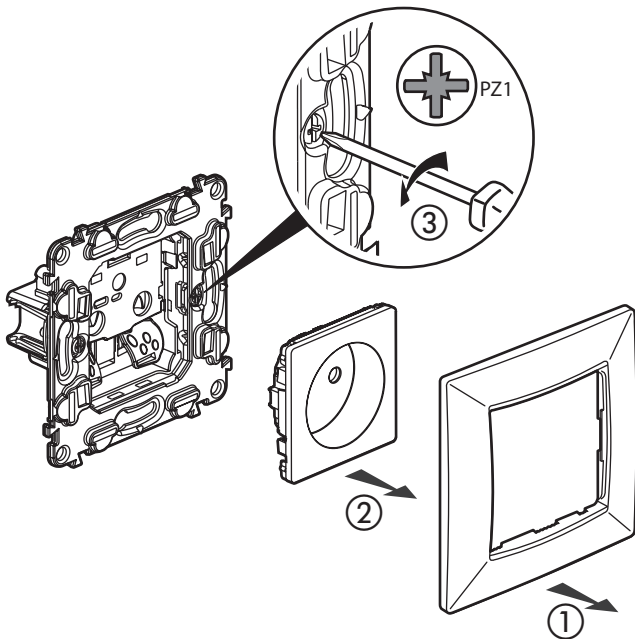
### 1. USE

16 A - 250 V~ socket outlets with shutters.  
Mechanisms supplied with protection cover.  
To be equipped with plates.  
Flush-mounting or surface-mounting.  
Screw or claw fixing.

### 2. RANGE

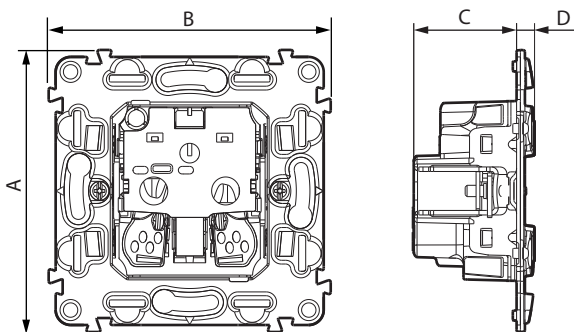
| Description   | Mechanism + Cover plate          |                                     |                                    | Mechanism only | Cover plate only |          |           |
|---|----------------------------------|-------------------------------------|------------------------------------|----------------|------------------|----------|-----------|
|   | White                            | Ivory                               | Aluminium                          |                | White            | Ivory    | Aluminium |
| 2 P socket  | 7 531 16                         | 7 532 16                            | 7 533 16                           | 7 530 16       | -                | -        | -         |
| 2 P+E socket  | 7 531 80                         | 7 532 80                            | 7 533 80                           | 7 530 80       | -                | -        | -         |
| 2 P+E socket with flap  | -                                | -                                   | -                                  | -              | 7 548 60         | 7 548 61 | 7 548 62  |
| 2 P+E socket with indicator Cat. No. 6 650 91   | -                                | -                                   | -                                  | -              | 7 548 70         | 7 548 71 | 7 548 72  |
| 2 P+E socket without shutters   | 7 531 81                         | 7 532 81                            | 7 533 81                           | 7 530 81       | -                | -        | -         |
| 2 P+E socket without shutters with flap   | -                                | -                                   | -                                  | -              | 7 548 60         | 7 548 61 | 7 548 62  |
| 2 P+E socket without shutters with indicator Cat. No. 6 650 91  | -                                | -                                   | -                                  | -              | 7 548 70         | 7 548 71 | 7 548 72  |
| 2 x 2 P+E prewired socket<br>Supplied with multimaterial box Batibox                                      | 7 531 82                         | 7 532 82                            | 7 533 82                           | -              | -                | -        | -         |
| 3 x 2 P+E prewired socket<br>Supplied with multimaterial box Batibox                                      | 7 531 83                         | 7 532 83                            | 7 533 83                           | -              | -                | -        | -         |
| 2 P+E socket  | 7 531 84                         | 7 532 84                            | 7 533 84                           | 7 530 84       | -                | -        | -         |
| 2 P+E socket without shutters   | 7 531 85                         | 7 532 85                            | 7 533 85                           | 7 530 85       | -                | -        | -         |
| 2 P+E socket without shutters with flap   | -                                | -                                   | -                                  | -              | 7 548 60         | 7 548 61 | 7 548 62  |
| 2 P+E socket without shutters with indicator Cat. No. 6 650 91  | -                                | -                                   | -                                  | -              | 7 548 70         | 7 548 71 | 7 548 72  |
| 2 P+E socket high capacity - Special transplanting<br>Allows connection up 3 wires in 2.5 mm <sup>2</sup> | 7 531 88                         | 7 532 88                            | 7 533 88                           | 7 530 88       | -                | -        | -         |
| 2 P+E socket (colour)   | 7 531 89<br>with red cover plate | 7 532 89<br>with orange cover plate | 7 533 89<br>with green cover plate | -              | -                | -        | -         |
| 2 P+E socket - Tamperproof  | 7 531 91<br>with red cover plate | -                                   | -                                  | -              | -                | -        | -         |

### 3. DISMANTLING

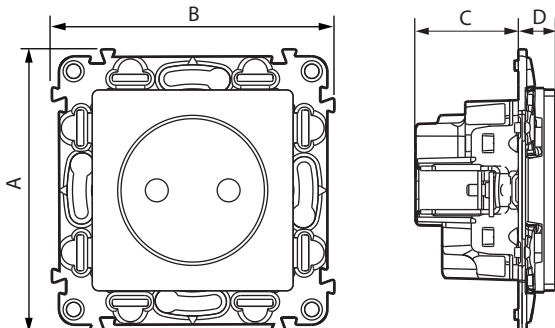


### 4. OVERALL DIMENSIONS (mm)

Cat. No: 7 530 16

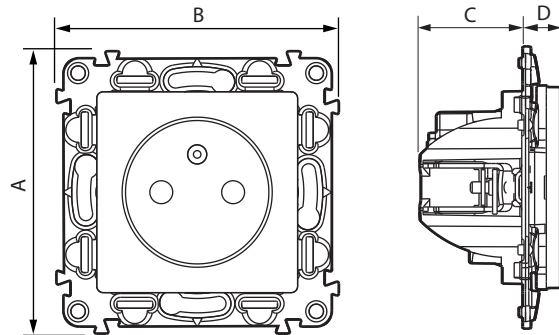


Cat. No: 7 531 16



### 4. OVERALL DIMENSIONS (mm) (continued)

Cat. No: 7 531 88



| References   | A   | B  | C    | D   |
|--|-----|----|------|-----|
| 7 530 16   | 75  | 75 | 27.5 | 5   |
| 7 530 80/81  | 75  | 75 | 27.5 | 10  |
| 7 530 84/85  | 75  | 75 | 27.5 | 10  |
| 7 530 88   | 75  | 75 | 27.5 | 9.5 |
| 7 531 16 - 7 532 16 - 7 533 16                             | 75  | 75 | 27.5 | 10  |
| 7 531 80/81/84/89 - 7 532 80/81/84/89<br>7 533 80/81/84/89 | 75  | 75 | 29   | 11  |
| 7 531 82 - 7 532 82 - 7 533 82                             | 146 | 71 | 33.5 | 10  |
| 7 531 83 - 7 532 83 - 7 533 83                             | 217 | 71 | 33.5 | 10  |
| 7 531 85 - 7 532 85 - 7 533 85                             | 75  | 75 | 29   | 11  |
| 7 531 88 - 7 532 88 - 7 533 88                             | 75  | 75 | 29   | 10  |
| 7 531 91   | 75  | 75 | 27.5 | 10  |

### 5. CONNECTION

• Cat. Nos.: 7 530 16/80/81 - 7 531 16/80/81/82/83/89  
7 532 16/80/81/82/83/89 - 7 533 16/80/81/82/83/89

#### Automatic terminals

Capacity: 2 x 2.5 mm<sup>2</sup>  
Stripping length: 13 mm  
Flexible or rigid cables compatible

• Cat. Nos.: 7 530 84/85/88 - 7 531 84/85/88/91  
7 532 84/85/88 - 7 533 84/85/88

#### Screw terminals

- For Ref. 7 530 88 - 7 531 88 - 7 532 88 - 7 533 88  
Capacity: 1 x 6 mm<sup>2</sup> - 2 x 4 mm<sup>2</sup> - 3 x 2.5 mm<sup>2</sup>  
- For other Ref.  
Capacity: 2 x 2.5 mm<sup>2</sup>  
Tightening torque: 0.8 Nm  
Stripping length: 13 mm  
Screwdriver: Posidrive 1, Philips 1, flat 4 mm  
Flexible or rigid cables compatible

## 6. TECHNICAL CHARACTERISTICS

### ■ 6.1 Mechanical characteristics

Protection against solid bodies and liquids: IP 20  
 Protection against impact: IK 04

### ■ 6.2 Material characteristics

Polygloss appearance

Colour: - White RAL 9003  
 - Ivory RAL 1013  
 - Aluminium

Material: - Plate ABS  
 - Socket cover plate: Polycarbonate  
 - Halogen free  
 - UV resistant

Self-extinguishing:

+ 850° C / 30 s for insulating parts holding live parts in place  
 + 650° C / 30 s for other parts made of insulating materials.

### ■ 6.3 Electrical characteristics

Voltage: 250 V~

Current: 16 A

Frequency: 50/60 Hz

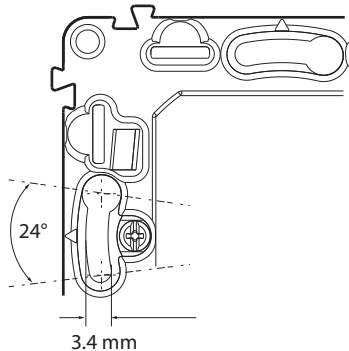
### ■ 6.4 Climatic characteristics

Storage and use temperature: - 5° C to + 35° C

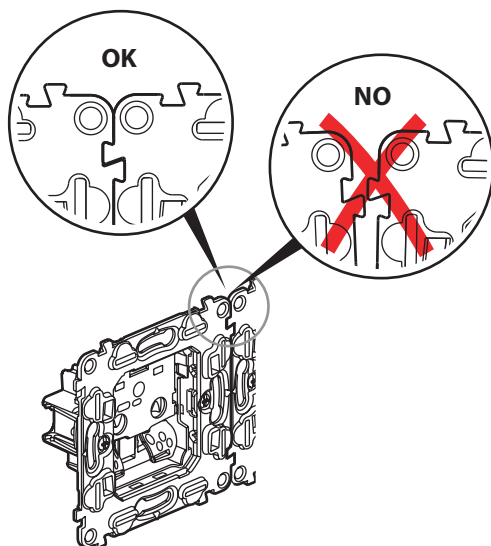
### ■ 6.5 Support

Material of the support: - Polycarbonate grey RAL 7037 + Metal  
 - Halogen free

Angular adjusting:



Locking support:

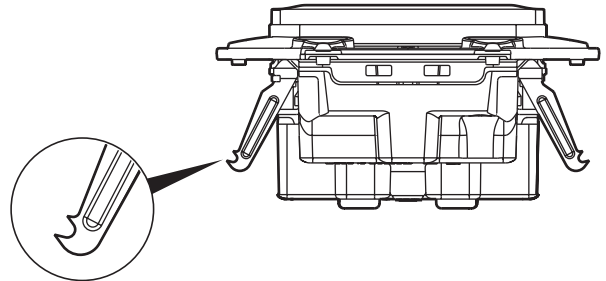


## 6. TECHNICAL CHARACTERISTICS (continued)

### ■ 6.6 Fixing with claws

Number of turns to open the claws:

- 58 mm > 2.1 turns
- 65 mm > 2.75 turns



Performance of double teeth claws: extraction resistance: 200-226 N

## 7. MAINTENANCE

Surface cleaning with a cloth.

Do not use: acetone, tar remover, trichloroethylene.

Maintenance with the following products: Hexane (EN 60669-1), Methylated spirit, Soapy water, Diluted ammonia, Bleach diluted to 10%, Window-cleaning products.

**Caution:** A preliminary test should be carried out if other specific cleaning products are to be used.

## 8. STANDARDS AND APPROVALS

Compliance with standards of installation and manufacturing.  
 Refer to e. catalogue.