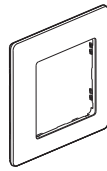
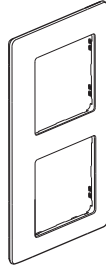


**Valena Life™**  
**Finish plates White**

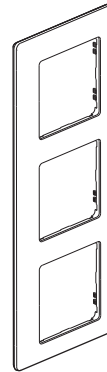
**Cat. No(s): 7 540 01/02/03/04/05/06 - 7 542 21/22/23**  
**7 521 45/46**



7 540 01



7 540 02




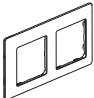
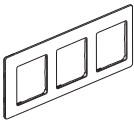
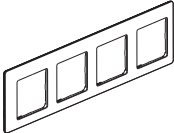
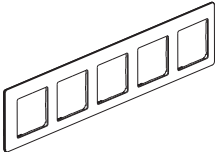
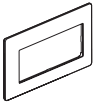
7 540 03

**1. USE**

Frame plates for fitting on Valena mechanisms.

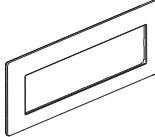
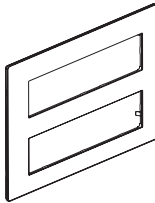
**2. RANGE**

**PLATES SUPPLIED WITH WHITE-TRANSPARENT UNDER-PLATES**

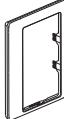

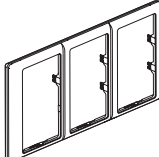
	1-gang	7 540 01
	2-gang	7 540 02
	3-gang	7 540 03
	4-gang	7 540 04
	5-gang	7 540 05
	Expanded plate 5-gang	7 540 06

**2. RANGE (continued)**

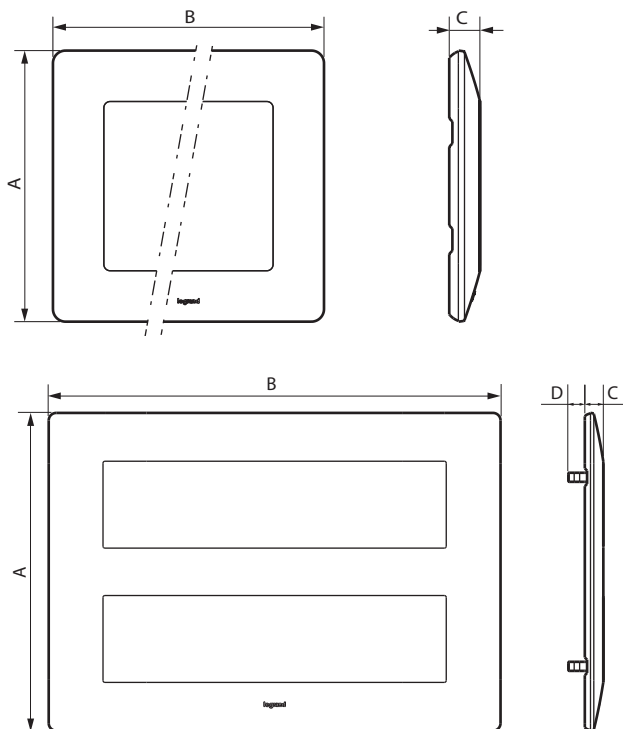
**PLATES SUPPLIED WITH SUPPORT-FRAME**

	Plate 4 x 2 modules	7 521 45
	Plate 2 x 4 x 2 modules	7 521 46

**SPECIFIC PLATES FOR DOUBLE SOCKET OUTLETS (2 x 2P+E)  
 SUPPLIED WITH A WHITE-TRANSPARENT UNDER PLATE**

	Plate 1-gang for double socket outlet	7 542 21
	Plate 1-gang for double socket outlet	7 542 22
	Plate 1-gang for double socket outlet	7 542 23

### 3. OVERALL DIMENSIONS (mm)



Cat. No 7 521 46

Catalogue Numbers	A	B	C	D
7 540 01	86	86	9.8	-
7 540 02	86	157	9.8	-
7 540 03	86	288	9.8	-
7 540 04	86	299	9.8	-
7 540 05	86	370	9.8	-
7 540 06	86	154	9.6	-
7 521 45	86	225	9.8	-
7 521 46	168	239	9.8	8.7
7 542 21	114	86	14	-
7 542 22	114	157	14	-
7 542 23	114	228	14	-

### 4. MOUNTING

The plates are clipped via notches to supports (the notches are used to compensate for the thickness. Example: wall carpet). Easy to remove with a screwdriver using the slots on the side of the plate.

### 5. TECHNICAL DATA

#### ■ 5.1 Mechanical characteristics

Impact tests: IK 04

#### ■ 5.2 Material characteristics

Decor plates: ABS  
Decor plates Cat. No 7 521 45/46: PC  
Under-plates: PC  
UV resistant  
Halogen free  
Self-extinguishing: 650° C / 30 s

#### ■ 5.3 Climatical characteristics

Storage temperature: - 10° C to + 70° C  
Use temperature: - 5° C to + 50° C

### 6. CLEANING

Surface cleaning with a cloth.  
Do not use: acetone, tar remover, trichloroethylene.  
Dish-washer proof.

#### ■ 6.1 Resistance to the following cleaning substances

- Hexane (EN 60669-1),
- Methylated spirit,
- Soapy water,
- Diluted ammonia,
- Diluted pure bleach 10%,
- Glass cleaning product,
- Pre-impregnated wipes.

#### ■ 6.2 Resistance to the following hospital-type cleaning substances

- Anios,
- Surfanios,
- Bactylisine,
- Hydrogen peroxide (oxygenated water 35%).

**Caution:** A spot test should be carried out before using any other specific cleaners.

### 7. SPECIAL USE

The plates must not be painted.