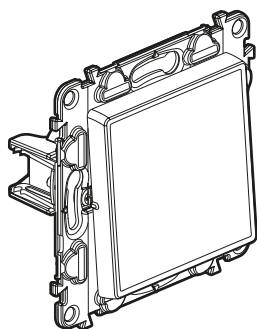
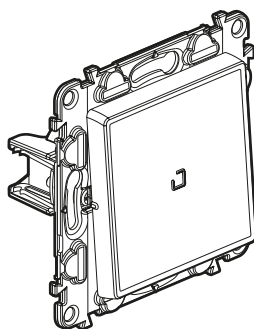


**Valena™ Life - Valena™ INMATIC**  
**Lighting controls 10 AX**

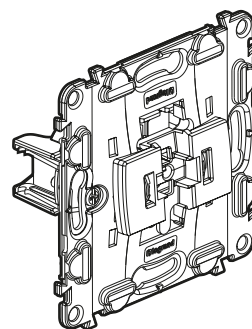
Cat. No(s): 7 520 01/03/05/06/07/08/10/23 - 7 521 01/03/04/05/06/07/08/09/10/21/22/23/26/28/48  
 7 522 01/03/04/05/06/07/08/09/10/21/22/23/26/28/48  
 7 523 01/03/04/05/06/07/08/09/10/21/22/23/26/28/48



7 521 06



7 521 10



7 520 01

**1. USE**

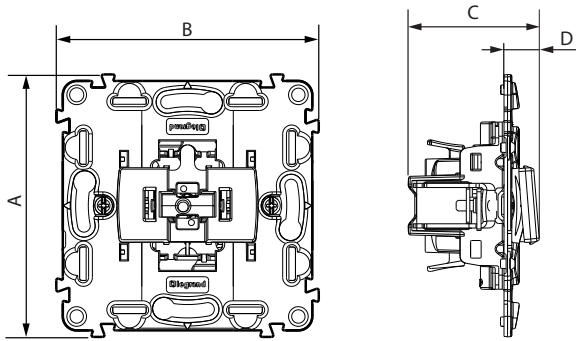
Lighting controls mechanisms 10 AX - 250 V~.  
 Mechanisms supplied with protection cover.  
 To be equipped with plates one or several gangs.  
 Flush-mounting or surface-mounting.  
 Screw or claw fixing.

**2. RANGE**

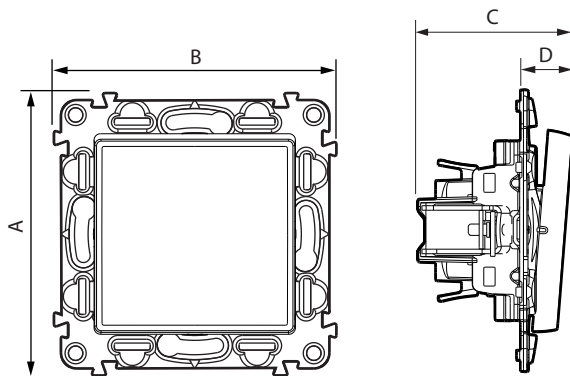
Description	Mechanism + Cover plate			Mechanism only	Cover plate only		
	White	Ivory	Aluminium		White	Ivory	Aluminium
One-way switch	7 521 01	7 522 01	7 523 01	7 520 01			
Two-way switch	7 521 06	7 522 06	7 523 06	7 520 06	7 550 00	7 550 01	7 550 02
Two-way switch with neutral terminal	-	-	-	7 520 10			
Intermediate switch	7 521 07	7 522 07	7 523 07	7 520 07	7 550 70	7 550 71	7 550 72
Illuminated one-way switch with indicator Cat. No 0 676 84	7 521 10	7 522 10	7 523 10	-	7 551 00	7 551 01	7 551 02
One-way switch with indicator Cat. No 6 650 91	7 521 04	7 522 04	7 523 04	-			
Illuminated two-way switch with indicator Cat. No 0 676 84	7 521 26	7 522 26	7 523 26	-			
Intermediate switch with indicator Cat. No 6 650 90	7 521 48	7 522 48	7 523 48	7 520 07	7 552 70	7 552 71	7 552 72
Two-gang one-way switch	7 521 05	7 522 05	7 523 05	7 520 05	7 550 20	7 550 21	7 550 22
Two-gang two-way switch	7 521 08	7 522 08	7 523 08	7 520 08			
Illuminated two-gang one-way switch with indicator Cat. No 0 676 84	7 521 28	7 522 28	7 523 28	7 520 05			
Illuminated two-gang two-way switch with indicator Cat. No 0 676 86	7 521 09	7 522 09	7 523 09	7 520 08			
Two-gang multifunctional switch	7 521 21	7 522 21	7 523 22	-	-	-	-
Two-gang illuminated multifunctional switch with indicator Cat. No 0 676 86	7 521 22	7 522 22	7 523 22	-	-	-	-
Pull-cord two-way switch	7 521 23	7 522 23	7 523 23	7 520 23	-	-	-
Three-gang one-way switch	7 521 03	7 522 03	7 523 03	7 520 03	7 550 30	7 550 31	7 550 32

### 3. DIMENSIONS (mm)

Cat. No 7 520 01



Cat. No 7 521 01



References	A	B	C	D
7 521 01/03/04/05/06/08/09/10/26/28/48				
7 522 01/03/04/05/06/08/09/10/26/28/48	75	75	41.5	14
7 523 01/03/04/05/06/08/09/10/26/28/48				
7 520 01/03/05/06/08/10	75	75	37.5	10
7 521 23 - 7 522 23 - 7 523 23	75	75	52	24.5
7 520 23	75	75	37	7

### 4. CONNECTION

Type of terminals: automatic  
Capacity: 2 x 2.5 mm<sup>2</sup>  
Stripping length: 13 mm  
Flexible or rigid cables compatible

### 5. TECHNICAL CHARACTERISTICS

#### ■ 5.1 Mechanical characteristics

Protection against solid bodies and liquids: IP 20  
Protection against impact: IK 04

#### ■ 5.2 Material characteristics

Polygloss appearance  
Colour: - White RAL 9003  
- Ivory RAL 1013  
- Aluminium  
Material: - Rocker: ABS  
- Base: PC  
- Halogen free  
- UV resistant

Material of the support: - Polycarbonate grey RAL 737 + Metal  
- Halogen free

Self-extinguishing:

+ 850° C / 30 s for insulating parts holding live parts in place  
+ 650° C / 30 s for other parts made of insulating materials

#### ■ 5.3 Electrical characteristics

Voltage: 250 V~  
Current: 10 AX  
Frequency: 50/60 Hz

#### ■ 5.4 Climatic characteristics

Storage and use temperature: - 5° C to + 35° C

### 6. MAINTENANCE

Surface cleaning with a cloth.

Do not use: acetone, tar remover, trichloroethylene.

Maintenance with the following products: Hexane (EN 60669-1), Methylated spirit, Soapy water, Diluted ammonia, Bleach diluted to 10%, Window-cleaning products.

**Caution:** A preliminary test should be carried out if other specific cleaning products are to be used.

### 7. STANDARDS AND APPROVALS

Compliance with standards of installation and manufacturing.  
Refer to e. catalogue.